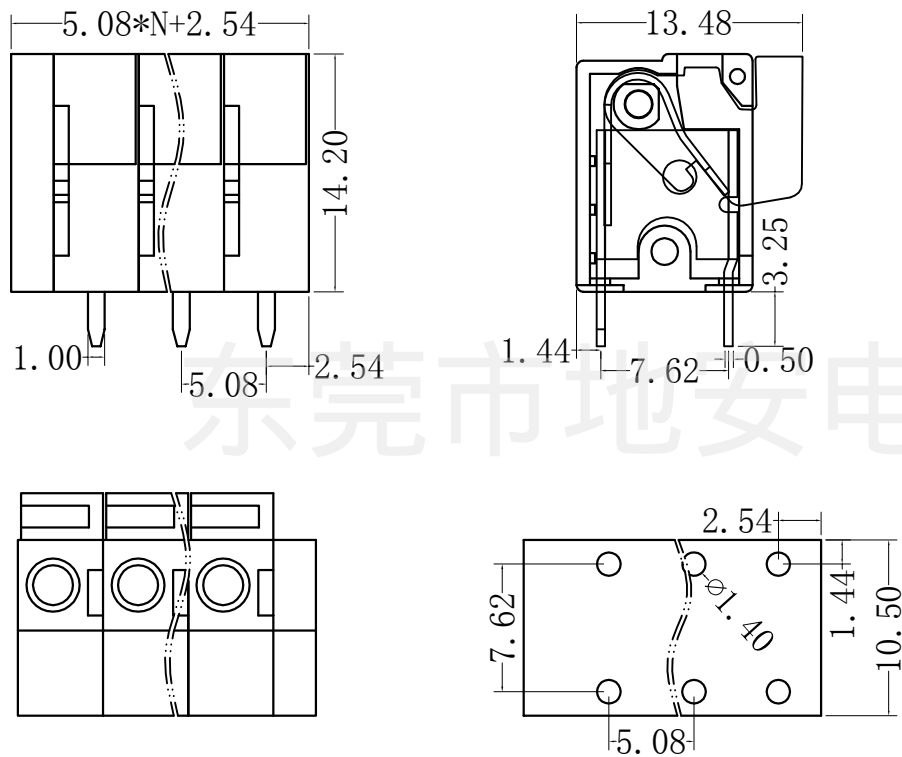




东莞市地安电子科技有限公司
DONGGUAN CITY DIERAN ELECTRONICS CO.,LTD

REVISION RECORD

REV.	DESCRIPTION	ECN NO.	APPROVED	DATE



项目/参数/认证	CCC	TUV	CE	UL	VDE
额定电压 (Rated Voltage) [V]	450	450	450	300	
额定电流 (Rated Current) [A]	24	24	24	15	
额定线经平方 (Wire Range mm ²)	0.2-2.5	0.2-2.5	0.2-2.5	0.2-2.5	
额定线经线号 (Wire Range AWG)	24-14	24-14	24-14	24-14	
冲击电压 Impulse withstand voltage	4 (KV)				
剥线长度 (Stripping Length) [mm]	10-11 (mm)				
绝缘材料 (Insulation Material)	PA66 UL94V-0				
导体材料 (Contact Material)	黄铜 (Brass)				
导体表面镀层 (Contactive Coating)	镀锡 (Dumb tin)				
间距 (Pitch) [mm]	5.08/7.62/10.16				
级数 (Poles) [P]	2-32P				
工作温度 (Operating temperatur) [°C]	-40°C ~ +105°C				
焊锡温度 (Soldering temperature) [°C]	250°C / 5S				

linear dimension (Tolerances Standard GB/T 14486-2008)								—	∕	⊥
variable range	to	over 6 to 10	over 10 to 30	over 30 to 60	over 60 to 100	over 100 to 160	over 160 to	to	over 10 to 100	over 100 to
tolerance	±0.20	±0.30	±0.50	±0.70	±1.00	±1.30	±1.60	0.10	0.30	0.60

单位/UNITS	mm	尺寸/SIZE	A4	比例/SCALE	1:1	第三视角/THIRD ANGLE PROJECTION	版本/REV	V0
东莞市地安电子科技有限公司							名称/TITLE	DA142V-5.08